

## Steca Tarom MPPT 6000

The Steca Tarom MPPT 6000 solar charge controller sets new standards in the area of Maximum Power Point charge controllers. Outstanding efficiency along with unique safety features make it a universal top-grade charge controller.

There are two inputs that can be connected in parallel or used separately. Each input has its own MPP tracker. So there are two charge controllers available in one device. Different module arrays can be flexibly combined in one charge controller.

With an input voltage of up to 200 V, all kinds of solar modules can be used in various connection schemes. This charge controller combines high flexibility, maximum yields, professional battery care and an appealing design on the basis of advanced technology.

### Product features

- Two independent maximum power point trackers (MPP trackers)
- Two inputs (connected in parallel or used separately for two different module arrays)
- Robust metal casing
- Fully-fledged integrated data logger
- Connection for battery voltage sensor cable
- Voltage and current regulation
- PWM control
- Temperature compensation
- Monthly maintenance charge
- Adjustable cut-off voltages
- Battery type: gel / liquid

### Electronic protection functions

- Overcharge protection
- Reverse polarity protection of module and battery
- Automatic electronic fuse
- Open circuit protection without battery
- Reverse current protection at night
- Overtemperature and overload protection
- PE connection

### Displays

- Multifunction graphical LCD display with backlighting
- Configuration via display unit

### Options

- External temperature sensor

### Certificates

- Compliant with European Standards (CE)
- RoHS compliant
- Made in Germany
- Developed in Germany
- Manufactured according to ISO 9001 and ISO 14001

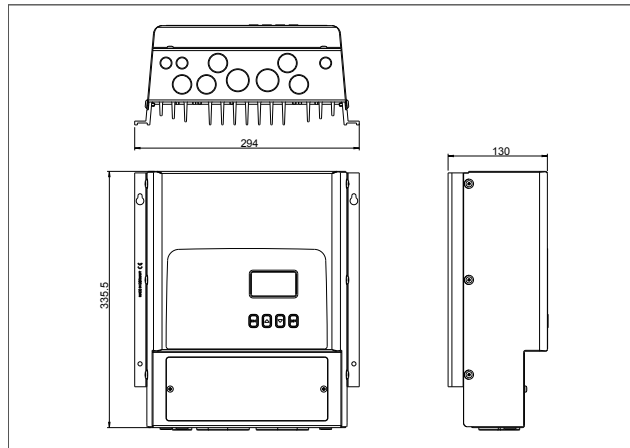
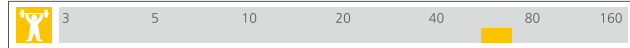


**Steca PA TS-5**  
External  
temperature sensor

Areas of application:



60 A



MPPT 6000	
<b>Characterisation of the operating performance</b>	
System voltage	12 V / 24 V / 48 V
Nominal power	850 W / 1,700 W / 3,400 W
Max. efficiency	> 99.8 % (MPP); >98.5 % (DC/DC)
Own consumption standby / ON	< 1 W / 2 W
<b>DC input side</b>	
Min. MPP voltage / input	14 V / 28 V / 56 V
Max. MPP voltage / input	180 V
Min. open circuit voltage solar module / input (at minimum operating temperature)	20 V / 40 V / 80 V
Max. open circuit voltage solar module / input (at minimum operating temperature)	200 V
Module current / input	30 A
<b>DC output side</b>	
Charge current	60 A
End of charge voltage	14.1 V / 28.2 V / 56.4 V
Boost charge voltage	14.4 V / 28.8 V / 57.6 V
Equalisation charge	15 V / 30 V / 60 V
<b>Operating conditions</b>	
Ambient temperature	-25 °C ... +50 °C
<b>Fitting and construction</b>	
Set battery type	liquid (adjustable via menu)
Terminal (fine wire)	35 mm <sup>2</sup> - AWG 2
Degree of protection	IP 31
Dimensions (X x Y x Z)	295 x 335 x 125 mm
Weight	approx. 6,300 g

Technical data at 25 °C / 77 °F