



Solar Modules MONOCRYSTALLINE



Mono S2

320 W ▪ 325 W ▪ 330 W

- High efficiency, high safety, high reliability
- Highly transparent self-cleaning glass
- Resistant to environmental influences: Passed salt mist & ammonia test
- 5-busbar-technology - PID free
- German warranty

Electrical data under STC (Standard Test Conditions: 1000 W/m², 25 °C, AM 1.5)

Parameter	Symbol	320 W	325 W	330 W
Rated power	P_{max}	320 W	325 W	330 W
Sorting limits of performance		0/+3 %	0/+3 %	0/+3 %
Voltage	U_{MPP}	32.76 V	32.97 V	33.17 V
Open circuit voltage	U_{OC}	40.60 V	40.71 V	40.91 V
Current	I_{MPP}	9.77 A	9.86 A	9.95 A
Short-circuit current	I_{SC}	10.23 A	10.32 A	10.41 A
Efficiency		19.19 %	19.49 %	19.79 %

Temperature data

Operating temperature		-40 °C ~ +85 °C
Operating humidity		5 ~ 85 %
Power temperature coefficient	$T_k(P_{MPP})$	-0.390 %/K
Voltage temperature coefficient	$T_k(U_{OC})$	-0.295 %/K
Current temperature coefficient	$T_k(I_{SC})$	0.039 %/K

Further information

Number of cells	60 monocrystalline cells
Size of cell	158.75 x 158.75 mm
Module dimensions	1664 x 1002 x 35 mm
Type of Frame	Anodized aluminium alloy
Max. system voltage	1000 V
Reverse current loading capability	15 A
Glass thickness	3.2 mm
Weight	18.9 kg
Module connection	MC4 compatible, 4.0 mm ² , cable length: (+) ≥ 1200 mm, (-) ≥ 1200 mm
Junction box rating	IP67
Allowable Hail Load	25 mm iceball with velocity of 23 m/s
Snow load	5400 Pa $\hat{=}$ 550 kg/m ²

15-year product warranty, 25-year linear performance warranty according to our additional warranty conditions for solar power modules of the "Mono S2" product series, which we will gladly send you.

Subject to technical modifications with corresponding follow-up certifications. Errors excepted. Illustration similar.

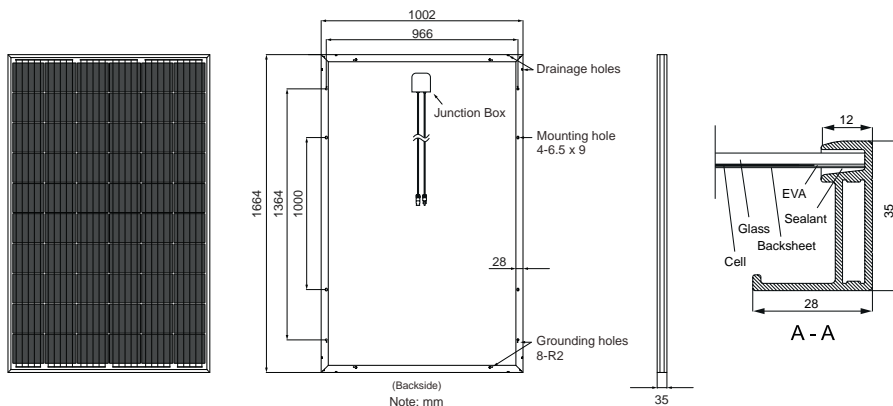
Packaging Specifications

Truck	
Dimension pallet (L/W/H)	170/112/115 cm
Weight pallet	approx. 613 kg
Modules per pallet	30
Modules per truck	900

Shipment	
Dimension pallet (L/W/H)	170/112/115 cm
Weight pallet	approx. 613 kg
Modules per pallet	30
Modules per container [40' HC]	840



Mono S2



Note:
Ensure correct polarity!

Your specialist dealer:

SF Solar Fabrik GmbH & Co. KG
Im Gewerbegebiet 12
63831 Wiesen
Germany

Phone: +49 (0)6096 9 700-790
Fax: +49 (0)6096 9 700-728
Mail: info@solar-fabrik.de
Web: www.solar-fabrik.de